

# 摩托车行车记录仪

## 使用说明书

产品目录：

一、外观按键部件指南

二、产品配件与清单

三、功能说明

四、菜单功能

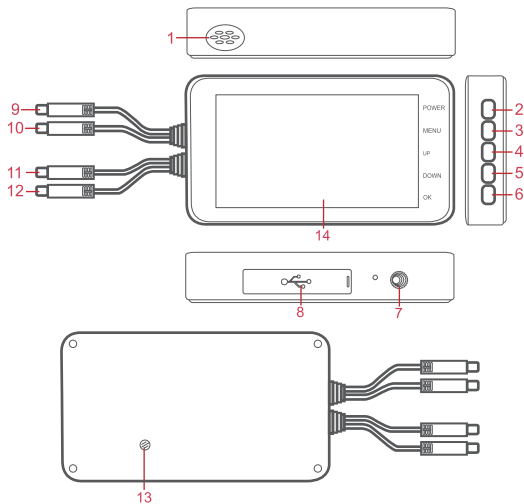
五、WIFI功能

六、产品基本规格参数

七、产品安装示意图

为确保您正确使用本公司产品，请仔细阅读本手册。手册配合文字的插图详细直观地阐述产品的操作，由于产品生产日期、批次不同，说明可能会与实际使用的产品有差异，请以实物为准。

## 一、外观按键部件指南



### 产品说明

- |          |               |          |                   |
|----------|---------------|----------|-------------------|
| 1.喇叭     | 2.电源键         | 3.菜单键    | 4.向上键             |
| 5.向下键    | 6.确认键         | 7.固定螺母   | 8.TF (Micro SD)卡槽 |
| 9.后镜头接头  | 10.线控/GPS(选配) | 11.前镜头接头 |                   |
| 12.电源 5V | 13.复位键        | 14.显示屏   |                   |

## 二、产品配件与清单

- 1、记录仪主机
- 2、电源线
- 3、外拉镜头\*2
- 4、镜头转接线\*2
- 5、镜头支架/3M胶\*2
- 6、固定支架
- 7、说明书

## 三、功能说明

### 1、电源键

待机模式下，短按电源键屏幕熄灭待机工作，长按电源键开机。

### 2、菜单键

在预览模式下，短按M键跳出设置菜单，长按M键查看回放视频文件和照片，在录影的状态下长按M键进入当前文件保护，加密为不可删除文件。

### 3、向上键

待机状态下，短按上键，切换当前镜头预览，后镜头预览和双镜头同时预览模式，设置或其它功能状态下为向上移动功能。

### 4、向下键

菜单设置或其他设置功能为向下移动功能键。

### 5、确认键

在录像模式，短按OK键，开始/暂停录像工作模式。在拍照模

式，短按OK键，拍照功能模式。在浏览文件模式，短按OK键，视频播放/暂停模式，在菜单或其他设置模式，为“确认”键。

## 6、状态指示灯（无屏）

通电状态红蓝指示灯同步亮，录像时蓝灯亮。

备注：无屏机器主要通过手机APP控制，部分功能按键无效。

## 四、菜单功能

### 1、分辨率

1) 720P 是一款分辨率为1280\*720的视频模式，录制视频清晰度适中，相应的视频储存适中。

2) 1080P 是一款分辨率为1920\*1080的视频模式，录制视频清晰度高，相应的视频储存较大。

### 2、双录录像

同时录像两路镜头。（选配）

### 3、循环录影

录像文件储存时间分别为3、5、10分钟一个文件选项，循环录影。

### 4、间隔录像

录像文件以时间分别为100、200、500ms开始录影。

### 5、高动态范围

可以提供更多的动态范围和图像细节，能够更好的反映人真实环境中的视觉效果，有“打开”、“关闭”可选。

### 6、曝光补偿

根据当下视觉效果分别有+3、+2、+1、0、-1、-2、-3七个选项供选择。

## 7、录音

声音录制功能，有“开”“关”可选。

## 8、日期标签

录音影的时候在图像里加上当时记录时间日期的功能，有“开”“关”可选。

## 9、重力感应

G-sensor发生碰撞之后，能即时的记录下这段视频并加锁，防止被覆盖掉。

## 10、停车守卫

停车后发生碰撞时启动记录仪录下这段视频并加锁，开关启用停车监控。

## 11.GPS（选配）

通过北斗定位，在PC端专用APP上可查看动态及行车轨迹。

## 设置

### 1. 屏幕保护

屏幕保护以时间30秒、1分钟、2分钟自动进行熄屏动作。

### 2. 自动关机

机器以时间3、5、10分钟进行自动关机设置。

### 3. 光源频率

分别为50HZ/60HZ两项进行设置。

### 4. 按键声音

开关设置

### 5. 语言设置

系统自带简体中文、繁体中文、日语、英语、韩语、法语供选项。

## 6. 日期/时间

该功能可更改机器系统时间。

## 7. 格式化

该功能提供给用户进行TF内存卡的格式化清除卡里的所用内容

## 8. 恢复默认设置

该功能提供给用户进行参数还原为默认值设定，对用户误操作导致出现问题故障，可尝试该功能，选项弹出是否对话框，选择“是”则恢复到出厂默认状态，选择“否”则不进行操作。

## 五、WIFI功能

安卓手机在应用宝市场下载 “Road Cam” 或 “DVRuning2”

苹果手机到APP Store下载 “Road Cam” 或 “DVRuning2”



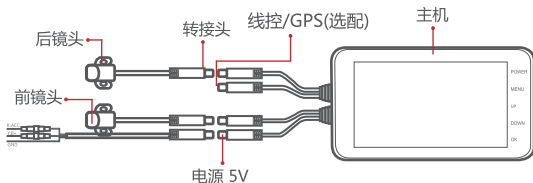
- 1) 扫码下载对应机型的wifi软件；
- 2) 选择正确的wifi名称,输入密码 “12345678” 连接OK；
- 3) 打开手机APP进行查看预览视频/相片；
- 4) 可把记录仪上的视频下载保存到手机上。

注：如浏览失败请重复上述wifi连接，如APP异常请与我们联系，我们会及时更新。

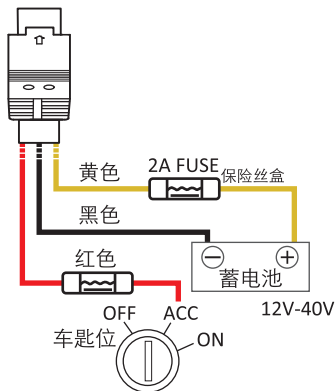
## 六、产品基本规格参数

操作系统	Windows XP/7/8/10
分辨率	1080P/720P
传感器	Cmos图像传感器
显示屏	4寸全高清LCD显示屏
镜头视角	140度广角
视频播放	MOV
照片格式	Jpeg
视频拍摄	1920x1080、1280x720
录音功能	MP3音频格式
存储容量	≤64G
循环覆盖录制	支持
wifi	支持
语言	中文简体、中文繁体、英语、法语、韩语、日语
双镜头录影	支持
开机自动录影	支持
传输类型	MINI USB 2.0
停车监控	支持
GPS	有（可选配）
工作环境温度	-10~55℃
防护等级	摄像头IP67，主机IP65
电源	DC 12V-40V

## 七、安装示意图



终端接线示意图



### 录像储存说明：

本记录仪支持标准的TF卡，请使用容量为64GB以内，读写速度在Class10及以上的储存卡，插入储存卡请先格式化。

普通视频采用循环擦写方式和紧急视频采用加锁不可循环擦写方式，为保障重要的视频不被擦除，请在发生交通事故后，及时将重要的视频导出到手机或者电脑等其它设备备份；

储存卡经过多次循环擦写之后可能会损坏或者老化，以致无法正常保存视频文件，遇到这种情况请及时更新存储卡。

请务必使用正规渠道购买的品牌储值卡！如果因为使用劣质的储存卡导致视频丢失或损坏，本公司不承担责任。

使用新的储存卡之前，请在记录仪中进行格式化。为了避免储存卡长时间擦写后速度变慢，停车监控导致加锁文件过多。建议每两周进行一次格式化。

请勿在开机状态下插拔储存卡，避免造成损坏及数据丢失。

### 注意事项：

本产品是以记录车辆外部影像为目的的行车辅助产品，不具备保障用户驾驶安全的功能。用户在使用本产品过程中，因产品故障、信息丢失、操作本产品导致的驾驶事故及导致的任何损失，与本公司无关。

本产品因为车辆状况、驾驶方式、行驶环境等差异，可能存在部分功能无法正常使用的情况。断电、超出正常温度使用、碰撞、存储卡损坏等原因，都可能会导致录像无法正常进行，本产品不保障任何情况下均可完整保存所有视频。本产品录制的行车录像的行车录像仅供参考。

请正确安装本产品，不要阻挡驾驶的视线，不要阻挡安全气囊，否则容易造成产品故障和人身伤害。

请将本产品远离磁场，强磁场可能导致设备损坏。

在开机状态下请勿插拔储存卡，否则可能导致设备损坏。

禁止在55℃以上的高温及-10℃以下的低温环境使用本产品。

长时间不使用本设备，设备内的电池电量可能会耗尽，重新开机时，会需要重新设置系统时间。

请勿使本产品受到强烈的冲击或震动，以免损坏产品，从而造成功能失常或无法使用。

请勿使用化学溶剂或清洁剂清洗本产品。

请在法律允许的范围内使用本产品。

## ⚠️ 温馨提示

本产品，可防溅、抗水、防尘，在本公司实验室条件下经测试，其效果达到IP65级别。防溅、抗水、防尘功能并非永久有效，防护性能可能会因日常磨损而下降，由于浸入液体而导致的损坏不在保修范围之内。

## 故障排查

现象	原因
不开机	确保车辆处于点火开启状态，手动按【电源】按键开启。
APP无法连接	请确保SD卡是否故障或主机正常工作，可通过更换SD卡或【复位】进行重启系统,更换其它APP测试。
记录仪无法录制	请确保SD卡是否故障或系统正常，可通过更换SD卡、SD卡格式化或【复位】进行重启系统。
APP画面不流畅或不能实时	尽量保持手机后台软件数量较少，并将手机靠近记录仪，可关闭APP重新启动
画质不清晰	检查记录仪镜头是否有脏物。

## 保修卡

### 特别声明：

- 1.若本产品日后有任何技术变更，恕不另行通知。
- 2.产品外观、颜色如有改动，以实物为准。
- 3.保修卡只适用于上述所列摩托车记录仪的三包服务。
- 4.请妥善保管此维修卡，保修时请出示此卡及原购买单据。
- 5.具体保修范围请参见下表说明。

此卡为保修的基本凭证，请用户认真填写此卡并妥善保存。

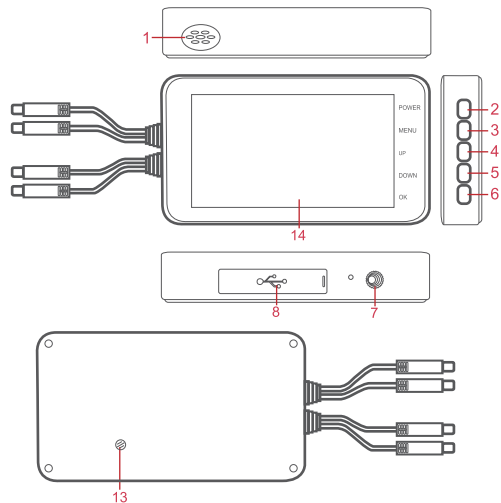
用户姓名		单位名称	
联系电话		地址	
主机型号		产品编号	
维修日期	维修记录	维修单位	
1.自购买之日起，非人为损坏故障保修一年； 2.属于下列情况之一的，不在保修范围内，但可付费维修； ① 超过保修期限； ② 未经我司授权，擅自拆卸或维修造成损坏的； ③ 人为电路板烧毁； ④ 因安装、使用、维护、保管不当造成损坏的； ⑤ 使用过程中引起的产品外壳损坏； ⑥ 保修凭证与产品型号不符或保修凭证被涂改； ⑦ 因不可抗力因素造成损坏的。			

# Instructions for motorcycle recorder black box

List:

- 1.Appearance button component guide
- 2.Product accessories and checklist
- 3.Function Description
- 4.Menu function
- 5.WIFI function
- 6.Product basic specification parameters
- 7.Product installation diagram

## 1. Appearance button component guide



- |                                  |                     |                        |
|----------------------------------|---------------------|------------------------|
| 1.Loudspeaker                    | 2. Power button     | 3. Menu button         |
| 4. Up button                     | 5. Down button      | 6. Confirmation button |
| 7. Fixed column                  | 8.USB/SD card       | 9. Rear lens           |
| 10. Wire control /GPS (optional) |                     |                        |
| 11. Front lens                   | 12. 5V Power supply |                        |
| 13. Reset                        | 14. Display         |                        |

## 2.Product accessories and checklist

- 1.Recorder host
- 2.Power cord
- 3.Pull-out lens\*2
- 4.Wire control / USB power supply (optional)
- 5.Lens holder / 3M glue \* 2
6. Fixing bracket
- 7.Specification

## 3. Function Description

### 1、 Power button

In standby mode, short press the power button to turn off the screen, press and hold the power button to turn the machine on and off.

### 2、 menu button

1) In the preview mode, short press the M key to jump out of the setting menu, long press the M key to view the playback video files and photos. In the video recording state, long press the M key to enter the current file protection, and the encryption is not deletable.

### 3、 Up button

1) In standby mode, short press the up button to switch the current lens preview, rear lens preview and dual lens simultaneous preview mode, and the upshift function in the setting or other function state.

### 4、 Down button

menu setting or other setting function is to down key to

select a function.

### 5、 Confirmation button

In the recording mode, short press the OK button to start/pause the recording mode. In the photo mode, short press the OK button to take the photo function mode. In the browse file mode, short press the OK button, the video play/pause mode, in the menu or other settings mode, for the "confirm" button.

### 6、 Status Indicator (No screen)

When the power is on, the red and blue lights are on at the same time, and the blue light is on when recording.

Remark: The machine without screen is mainly controlled by mobile phone APP, some buttons are invalid.

## 4.Menu Function

### 1. Resolution

- 1) 720P is a video mode with a resolution of 1280\*720.

The recorded video is moderately sharp and the corresponding video storage is moderate.

- 2) 1080P is a video mode with a resolution of 1920\*1080.

The recorded video has high definition and the corresponding video storage is large.

### 2. Double recording video

Simultaneously record two lenses. (optional)

### 3. Loop video

Video file storage time were 3,5,10 minutes a file option, loop recording.

### 4.Interval recording

Video files are 100,200,500ms time to start recording.

### 5. High dynamic range

More dynamic range and image detail can be provided to



better reflect the visual effects of people's real environment.  
, there are "open", "close" optional.

#### **6. Exposure compensation**

As noted in the current visual effects, respectively, +3, +2, +1, 0, -1, -2, -3 seven options available.

#### **7. Recording**

On / off recording function.

#### **8. Date label**

When recording a movie, the video can display the time and date of recording.

#### **9. G-sensor**

After the collision of G-sensor, the video can be recorded immediately to prevent it from being overwritten.

#### **10. Parking guarded**

If there is a collision after parking, the recorder will start the recording of the video and lock it, can turn the parking monitoring on or off.

#### **11. GPS (Optional)**

View the dynamic and driving trajectory in real time through Beidou positioning.

### **Setting**

#### **1. Screen saver**

The screen saver automatically performs the screen-out action in 30 seconds, 1 minute, and 2 minutes.

#### **2. Automatic shutdown**

The machine performs automatic shutdown settings in 3, 5, and 10 minutes.

#### **3. Light source frequency**

Set for 50HZ/60HZ respectively.

#### **4. Button sound**

Switch setting.

#### **5. Language settings**

The system comes with Simplified Chinese, Traditional Chinese, Japanese, English, Korean, and French.

#### **6. Date/Time**

This feature can change the machine system time.

#### **7. Formatting**

Clear all content from the TF card.

#### **8. Restore factory settings**

This function provides the user with the parameter to restore to the default value setting. If the user misuses, the problem may occur. You can try this function. If the option pops up the dialog box, select "Yes" to restore to the factory default state. Select "No". Do not operate.

### **5. WIFI function (optional)**

APP Store DOWN "Road Cam" or "DVRuning2"

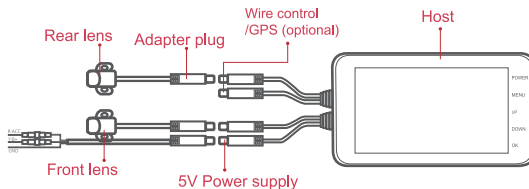
- 1) Scan the code to download the WiFi software of the corresponding model.
- 2) Select the correct WiFi name and enter the password "12345678" connection OK;
- 3) Open the app to connect and browse.

If the browsing fails, please repeat the above WiFi connection.

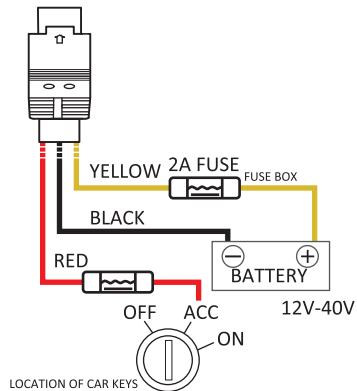
## 6. Product basic specification parameters

Operating system	Windows XP/7/8/10
Chipset	1080P/720P
Sensor	Coms image sensor
Display screen	4-inch full HD LCD display
Lens area	140 degree wide angle
Video player	MOV
Photo format	Jpeg
Video resolution	1920x1080、1280x720
Voice recording function	Supports separate recording, MP3 audio format
Storage capacity	≤64G
Loop coverage recording	Support
WIFI	Support
Language	Chinese Simplified, Chinese Traditional, English, French, Korean, Japanese
Double-lens video	Support
Video recording automatically	Support
Transmission type	MINI USB 2.0
Parking monitoring	Support
GPRS	Support(Optional)
Working temperature	-20°C~ 55°C
Protection level	Camera IP67, Host IP65
Power supply	DC 12V-40V

## 7. Product installation diagram



The schematic of the ultimate port wiring



## Tips



This product is splash-proof, water-proof, and dust-proof. It has been debugged under the laboratory conditions of our company and its effect reaches IP65 level. Splash proof, water proof, and dust proof functions are not permanently effective. The protective performance may be reduced due to daily wear and tear. Damage caused by immersion in liquid is not covered by the warranty.

## Troubleshooting

Phenomenon	Reason
Can not booting	Make sure the vehicle is in the ignition-on state, manually press the power button to turn it on or the pinhole to reset.
APP can't connect	Please make sure that the SD card is faulty or the host is working properly. You can restart the system to replace other APP tests by replacing the SD card or pressing the [Reset] key.
Recorder cannot record	Please make sure that the SD card is faulty or the system is normal. The system can be restarted by replacing the sd card, sd card formatting or reset.
APP screen is not smooth	Try to keep the number of mobile back-end software as small as possible and bring the phone closer to the recorder. You can close the app and reuse it.
Unclear picture quality	Check the recorder lens or the car windshield for dirt.

## Video storage instructions:

- 1.Please use a memory card with a capacity of no more than 64GB and a read/write speed of Class 10 and above.
- 2.To protect important video is not lost, after a traffic accident, Please export important videos to other devices, such as mobile phones or computer backups in a timely manner.
- 3.The memory card may be damaged or deteriorated after repeated use, so that the video file cannot be saved normally. In this case, please update the memory card in time.
- 4.Be sure to use formal channels to buy the brand memory card! If the video is lost or damaged due to the use of a poor quality memory card, the company is not responsible.

## Precautions:

- 1.This product is a driving assistance product for the purpose of recording the external image of the vehicle. It does not have the function of ensuring the safety of the user. During the use of this product, the has nothing to do with the company due to product failure, loss of information, driving accident caused by the operation of this product and any losses caused.
- 2.This product may not be able to use some functions due to differences in vehicle conditions, driving style, and driving environment. Power failure, out of normal temperature use, collision, memory card damage, etc., may cause the recording to not work properly. This product does not guarantee that all videos can be completely saved under any circumstances. The driving video of the driving video recorded by this product is for reference only.
- 3.Please install this product correctly, do not block the line of sight of the driver, do not block the airbag, otherwise it will easily cause product failure and personal injury.
- 4.Keep this product away from magnetic fields and strong magnetic fields may cause damage to the equipment.

5. Do not insert or remove the memory card while the power is on, otherwise the device may be damaged.
6. Do not use this product at temperatures above 55 °C and in low temperatures below -20 °C.
7. If you do not use the device for a long time, the battery power in the device may be exhausted. When you turn it back on, you will need to reset the system time.
8. Do not subject this product to strong shock or vibration to avoid damaging the product, resulting in malfunction or cannot operate.
9. Do not use chemical solvents or detergents to clean the product.
10. Please use this product to the extent permitted by law.